

HINGE GENERAL GUIDELINES

REPLACEMENT

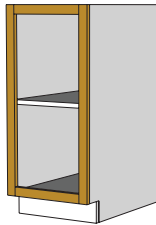
To update the finish, choose the same style. New holes in the cabinet might be required if the style is not the same.

HINGE QUANTITY

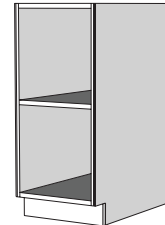
- 2 Hinges: up to 35" door height 20 lbs.
- 3 Hinges: up to 63" door height 20-40 lbs.
- 4 Hinges: up to 78" door height 40-60 lbs.
- 5 Hinges: up to 94" door height 60-80 lbs.

WHAT TYPE OF CABINET DO YOU HAVE?

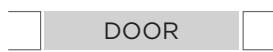
Face Frame: The cabinet face is constructed of vertical "stiles" and horizontal "rails" that reinforce the cabinet structure and provide mounting support for doors and drawers.



Frameless: The cabinet is constructed without any face framing. Doors and drawers are mounted to the sides of the cabinet. Fully concealed hinges are used for the doors.



WHAT TYPE OF DOOR DO YOU HAVE?



Flush or Full Inset Door: Sits completely within cabinet opening, has no edges to grab onto and needs hardware to pull open. Ideally used with face frame cabinets.

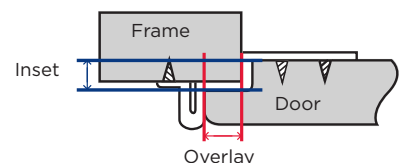
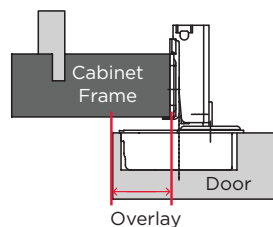
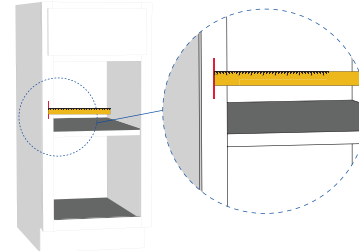
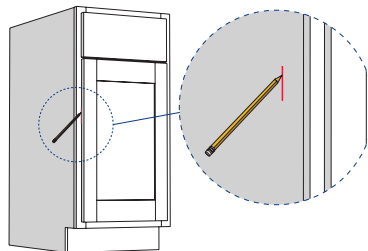
Partial Inset Door: Sits partially in cabinet opening and partially across face of cabinet.

Partial Overlay: Must be attached to a framed cabinetry. Cabinet door sits slightly apart from one another, revealing a piece of the face frame.

Full Overlay: Sits fully across face of cabinet with no reveal.

MEASURING OVERLAY

1. Close Cabinet Door.
2. Use pencil and make a small mark on the cabinet frame directly against the hinged side of the door.
3. Open the cabinet door (or remove the door) and measure from the pencil mark to the opening of the cabinet.








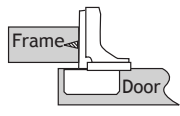
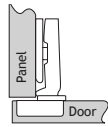
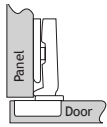
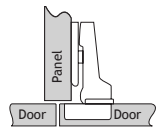
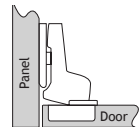
CHOOSE YOUR HINGE

Do you want decorative (surface), purely functional (concealed) or both (semi-concealed)? Now that you know the type of cabinet & door you have, with an overlay measurement, you can choose from a variety of hinge styles to fit your needs. The hinge you choose may have more than one trait.

<p>VISIBILITY</p> <p>Surface: The hinge mounting is visible, mounted on the outside of the cabinet.</p> <p>Concealed: The hinge is hidden, mounted on the inside of the cabinet.</p> <p>Semi-Concealed: A part of the hinge is showing, typically the cabinet wing is exposed and the door wing is concealed.</p>	<p>CLOSING</p> <p>Soft Closing: Door self closes softly during the last few inches, prevents door from slamming.</p> <p>Self Closing: Door self closes during the last few inches.</p> <p>Free Swinging: No built-in closing mechanism, door prone to slamming.</p>	<p>WRAP</p> <p>Full Wrap: Wraps around three sides of the cabinet body.</p> <p>Partial Wrap: Wraps around two sides of the cabinet body.</p>	<p>FLUSH OR INSET</p> <p>Flush: Hinge door wing mounts straight across back of door.</p> <p>Inset: Hinge door wing is shaped to fit 3/8" rabbet on doors for partial inset applications.</p>
---	---	---	---






CONCEALED, SOFT CLOSE

Concealed: The hinge is hidden, mounted on the inside of the cabinet.
Soft Close: Door self closes softly during the last few inches, prevents door from slamming.

				
Face Frame	Frameless	Frameless	Frameless	Frameless
<ul style="list-style-type: none"> • 106° Opening • With 1/2", 3/4", 1-1/4" and 1-3/8" Overlays • Polished Nickel Finish • HH74716-14 Shown 	<ul style="list-style-type: none"> • 105° Opening, Full Overlay • Titanium Finish • HH74723-TT Shown 	<ul style="list-style-type: none"> • 105° Opening, Full Overlay • Polished Nickel Finish • HH74720-14 Shown 	<ul style="list-style-type: none"> • 105° Opening, Half Overlay • Polished Nickel Finish • HH74721-14 Shown 	<ul style="list-style-type: none"> • 105° Opening, Inset • Polished Nickel Finish • HH74722-14 Shown
				

CONCEALED, SELF CLOSING

Concealed: The hinge is hidden, mounted on the inside of the cabinet.
Self Closing: Door self closes during the last few inches.

				
Face Frame	Frameless	Frameless	Frameless	Frameless
<ul style="list-style-type: none"> • With 1/2", 3/4", 1-1/4" and 1-3/8" Overlays • Polished Nickel Finish • P5124-14 Shown 	<ul style="list-style-type: none"> • Full Overlay • Polished Nickel Finish • P5105-14 Shown 	<ul style="list-style-type: none"> • Half Overlay • Polished Nickel Finish • P5110-14 Shown 	<ul style="list-style-type: none"> • Inset • Polished Nickel Finish • P5115-14 Shown 	<ul style="list-style-type: none"> • 90° Opening • Frameless, or Inset • Self-closing • Polished Nickel Finish • P6992-C Shown • All frameless configurations shown left are possible.
